

ZDC Series Converter

Features

- 14.2mm × 10.1mm × 10.2mm Standard Size
- Wide input voltage 9-36Vdc
- 1500Vdc Isolation Voltage
- Operating Case Temp:-40 to 105
- Applications:Telecommunication equipments data exchange servers and distributed power.

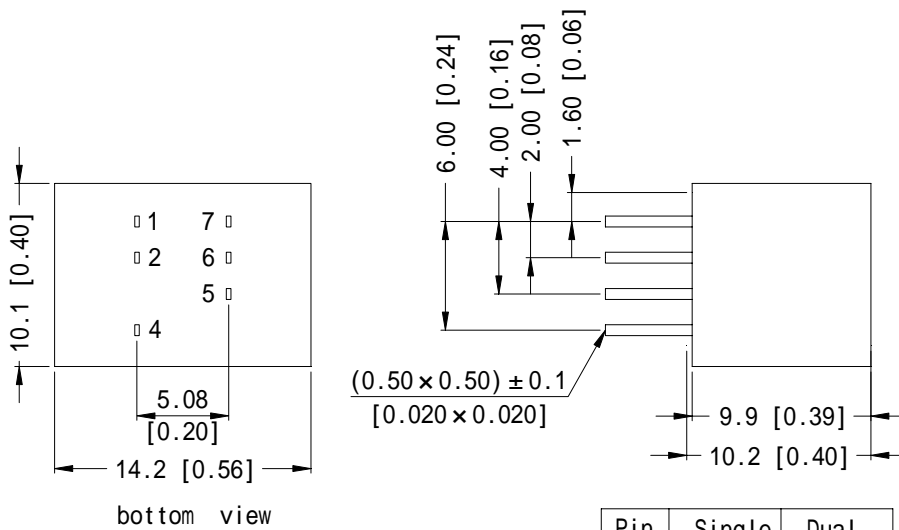


Contact Information

Anhui Hesion Trading Co.,Ltd.
 Beijing Zhengxinyuan Technology Co.Ltd.
 TEL:+86-551-65369069,65369067

FAX:+86-551-65369070
 Email:alecz@ahhesion.com,
 Backup:alecz@126.com

Outline Diagram



Notes : all dimensions in mm[inches]
 Tolerance :
 X.X ± 0.5[X.XX ± 0.02]
 X.XX ± 0.25[X.XXX ± 0.010]

Pin	Single	Dual
1	+Vin	+Vin
2	-Vin	-Vin
4	NC/Cnt	NC/Cnt
5	+Vo	+Vo
6	-Vo	Com
7	NC	-Vo

Performance Specifications And Ordering Guide

Unless otherwise specified, all values are given at: 25 °C, one standard atmosphere pressure, pure resistive load and basic connection.

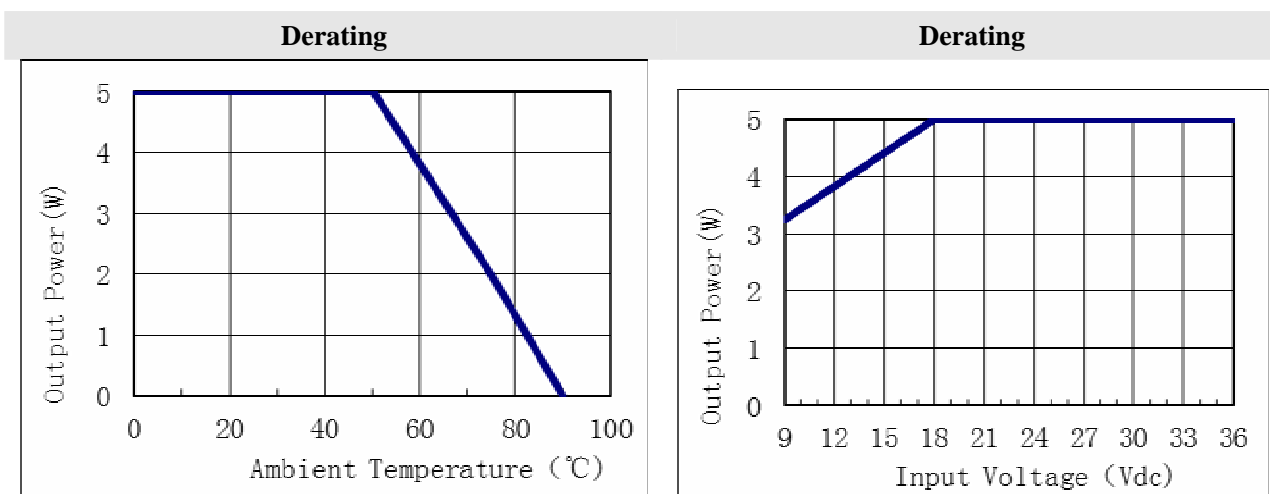
Model	Output				Input	Efficiency (%)
	Voltage(V)	Current(A)	Ripple and Noise(mV)	Capacitive load(uF)	Range-DC (Volts)	
ZDR Series						
ZDC5-24BS5D	5	1	50	1200	9~36	82
ZDC5-24BS12D	12	0.42	100	1000	9~36	83
ZDC5-24BS15D	15	0.33	100	680	9~36	83
ZDC5-24BS24D	24	0.21	200	470	9~36	84
ZDC5-24BD5D	± 5	± 0.5	50	± 1000	9~36	82
ZDC5-24BD12D	± 12	± 0.21	100	± 680	9~36	83
ZDC5-24BD15D	± 15	± 0.17	100	± 330	9~36	83
ZDC5-24BD24D	± 24	± 0.11	200	± 100	9~36	84

Other Models please contact us.

Performance/Functional Specifications

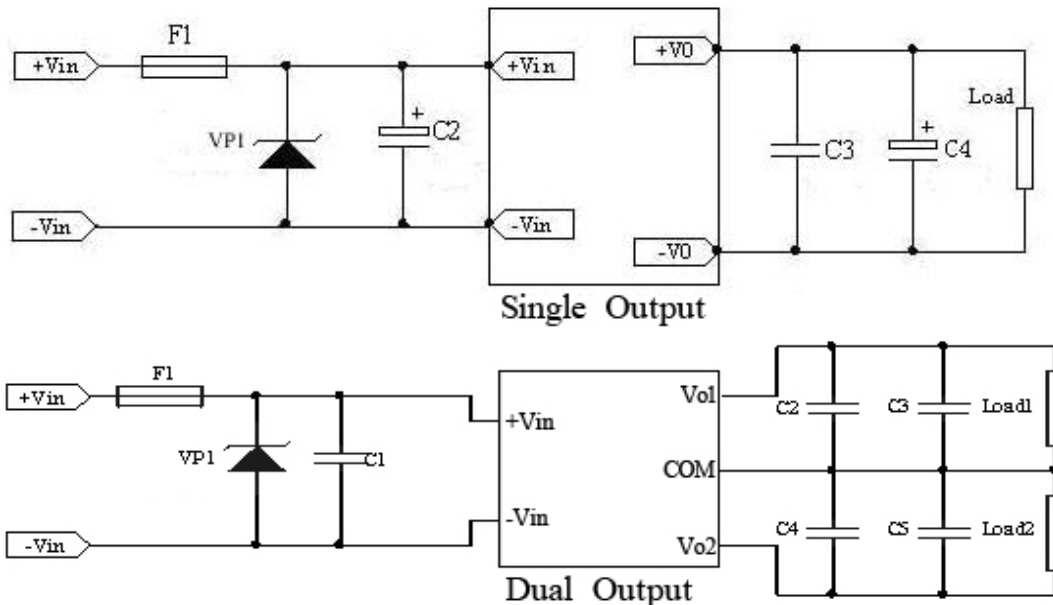
Input		General	
Input Voltage:	See Ordering Guide	Isolation Voltage:	1500Vdc/1min/5mA (Input-Output)
Output		Switching Frequency:	300kHz(typ.)
Voltage Accuracy:	±1% Vo1 ±3% Vo2	MTBF :	2×10 ⁶ h(Bellcore tr332)
Line Regulation:	±0.2%max.	Temperature Coefficient:	±0.02% per °C (Max)
Load Regulation:	±0.5% max.	Case Temperature:	-40 ~ +105 (Industry)
Ripple and Noise:	See Ordering Guide	Storage Temperature:	-55 ~ +125
Efficiency:	See Ordering Guide	Relative Humidity:	10%~90%
Transient Response Recovery Time(μs):	see respective data sheet	Short-circuit Protection:	Hiccup mode, automatic recovery
Transient Response Voltage Deviation (%):	see respective data sheet	Isolation Resistance:	50MΩmin(500Vdc,90%RH)
Start-up Delay Time:	see respective data sheet	Manual Soldering:	425 max (5s Max)
Rise Time:	see respective data sheet	Wave Soldering:	255 max (10s Max)

Characteristic Curves



Design Considerations

Basic Connection



Notes: Please see the application information followed for the further information.

Thermal Consideration

The converters operate in a variety of thermal environments; however, sufficient cooling should be provided to ensure reliable operation of the unit. Heat is removed by conduction, convection and radiation to the surrounding environment.

When ambient temperature is higher than the permitted operating, the derating curves should be referred or external heat dissipation measures. Forced air cooling or heatsink, should be used. The air tunnel should be considered for forced air cooling, to avoid heated air be hindered or forming swirl; when heatsink used, it should be attached the converter closely, through double-side thermal conductivity insulation adhesive or thermal conductivity silicone for heat exchange.

Safety Consideration

The module, as one component for the end user, should be installed into the equipment. It is required to meet safety requirements in the system design.

To avoiding fire and be protected when short circuit occurred, it is recommended that a fast blow fuse with rating 1.5 to 2.5 times of converter's continuous input peak current is used in series at the input terminal. (Inrush current suppression circuit is required for greater filter capacitance at input terminal, or it will result in the misoperation of the fuse).

Series and Parallel Operation

The converters should not be paralleled directly to increase power, but they can be paralleled each other through o-ring switches or diodes. Make sure that every converter's maximum load current should not exceed the rated current at anytime if they are paralleled without using external current sharing circuits. The converters can operate in series. To prevent against start-up failure due to start up time difference,

SBD with low voltage difference can be paralleled at the output pins (SBD negative terminal connect to the positive pin of the output) for each converter.

Cleaning Notice

The converter case is not a hermetically-sealed construction, a sufficient drying process is required after the converter cleaning, make sure the liquid congregated is removed, or it will damage the converter or degradation of performance

After surface treatment, the appearance of the converter may be affected by the organic solvent, protection measures should be taken before cleaning when appearance is concerned.

Quality Statement

The converters are manufactured in accordance with ISO 9001 system requirements, in compliant with YD/T1376-2005, and are monitored 100% by auto-testing system, 100% burn in.

The warranty for the converters is 5-year.